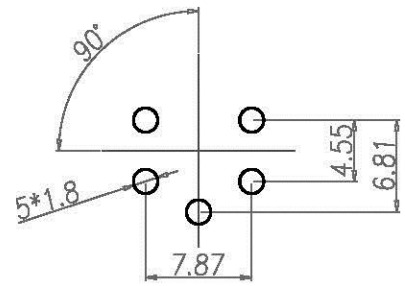
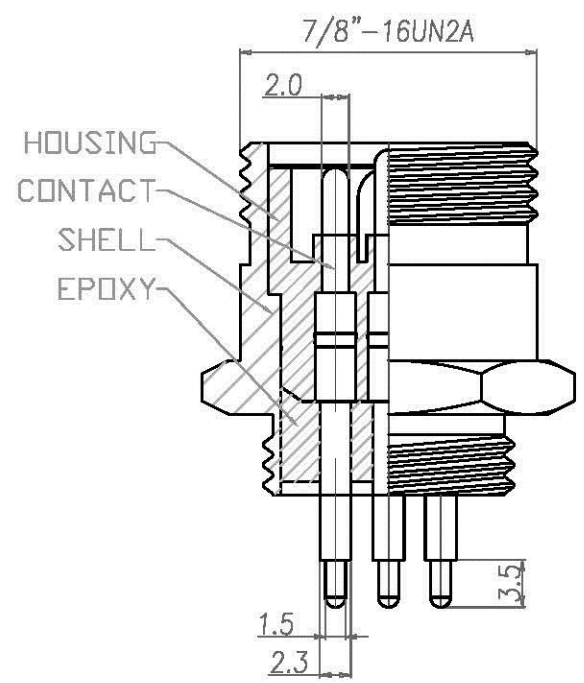
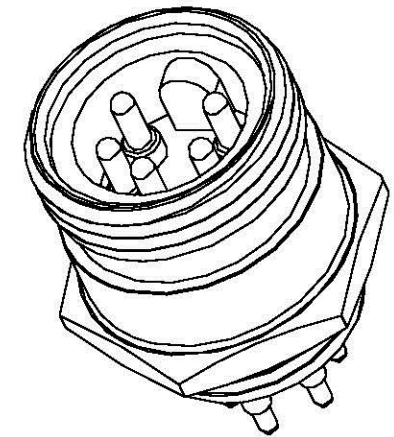
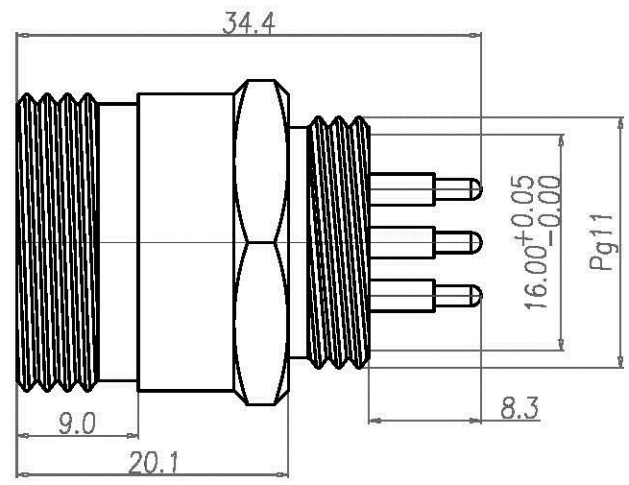
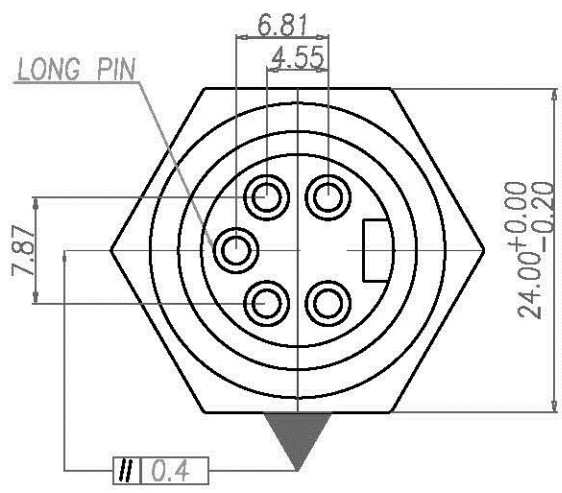


Rev	Revisions	Rev.Drawn	Date
A		Du	25.11.2008



- MATERIAL :**
  - 1-1. HOUSING : PBT UL94V-0 ; COLOR : YELLOW
  - 1-2. CONTACT : BRASS
  - 1-3. SHELL : BRASS
  - 1-4. Epoxy Base :EF400A&EF400B.COLOR:BLACK
- FINISH :**
  - 2-1. CONTACT : 30 MICRO INCHES MIN. GOLD PLATED  
UNDER PLATE : NICKEL
  - 2-2. SHELL : NICKEL PLATED
- ELECTRICAL SPECIFICATION :**
  - 3-1. Rated current : 20A
  - 3-2. Voltage :125V
  - 3-3. Water proof: IPX8
- Environmental :**
  - 4-1. Operation Temperature : -20 °C~85°C

**All Connectors**  
 www.allconnectors.de  
 Tel: +49 4103 411 100-4000  
 Fax: +49 4103 411 100-4000  
 info@allconnectors.de  
 Tel: +49 4103 411 100-4000  
 Fax: +49 4103 411 100-4000

SGS Report No.:	Customer:	Part No.:
		7/8MF-B-A-BL-P01-C-D-630-B-N
Title: 7/8 MALE DIP TYPE BACK LOCK for BOARD		
Drawn By: Storm.Li	SCALE	SHEET
Checked By: du	1:1	1/1
Approved By: Tony	REV.	A
	DWG NO.:	SST-081125-01
	Third angle Projection	
	General Dimension Tolerance	
	TOLERANCE:	X. ±2MM
		.X ±0.25MM
		.XX ±0.1MM
		.XXX±0.1MM
	Units	mm